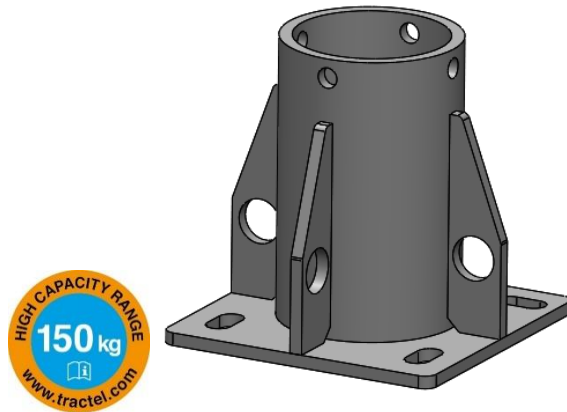


APPLICATIONS

The Davitrac™ / Davimast™ stainless steel mounted floor adapter is exclusively intended to be installed with the Davitrac™ or Davimast™ manufactured by Tractel®. This adapter allows the Davitrac™ or Davimast™ to be installed at any point on a horizontal surface. It is equipped with 4 PPE anchoring points 150 kg. A maximum of 2 operators can be secured when installing the Davitrac™ or Davimast™.



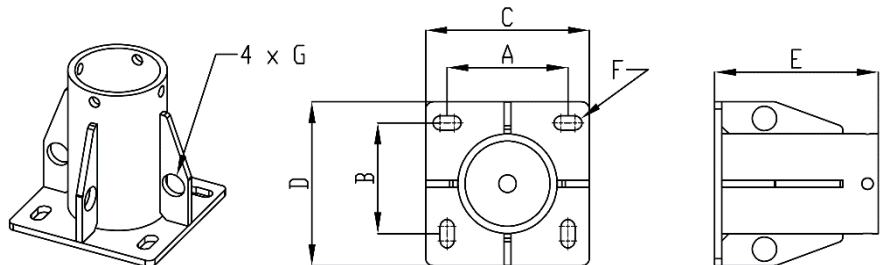
The Davitrac™ / Davimast™ mounted floor adapter is fixed to the floor with 4 heavy duty chemical anchors with a diameter of 16 mm.

It can be installed without any specific tools and is quick and easy to install.

It allows the Davitrac™ or Davimast™ to rotate 360°.

TECHNICAL CHARACTERISTICS

- Material: stainless steel 316 L
- Net weight: 13.4 kg
- A: 170 mm
- B: 155 mm
- C: 230 mm
- D: 230 mm
- E: 230 mm
- F: 20 mm
- G: PPE anchoring point



APPLICABLE STANDARDS

- EN795-A:2012: Fall arrest anchor point
- CEN/TS16415: Multi-user of 150 kg

EXISTING PRODUCTS

Code	Description	Weight	Dimensions
218008	Stainless steel mounted floor adapter Davimast™ / Davitrac™	13.4 kg	230 x 230 x 230 mm

LOGISTIC INFORMATION

Code	Description	EAN Code	Weight (incl. packaging)	Packaging size
218008	Stainless steel mounted floor adapter Davimast™ / Davitrac™	3600232180081	13.5 kg	230 x 230 x 230 mm